

# PBXport

## Rackmount PBX Digital Hybrid

### Product Overview



The JK Audio PBXport is a professional digital hybrid capable of providing talk show quality caller audio from your PBX phone system. PBXport allows you to send mic and line level signals into your PBX telephone system while maintaining excellent separation between your voice and the caller. The Mix Out balanced XLR output jack on the back of the unit provides a mix of your voice and the caller's voice at levels based on the Send>Mix<Caller volume controls. The Caller balanced XLR output jack contains only the caller's voice.

The PBXport digital hybrid connects audio signals to your PBX type telephone system through the telephone handset cord. The Digital Signal Processor (DSP) continuously monitors both the transmit and receive audio signals to deliver excellent separation. This proprietary, dual-convergence echo canceller algorithm can achieve excellent separation without any setup, and without sending a noise burst down the line.

PBXport provides connections for a microphone, headphones, mixer, telephone handset and your telephone set. The three position handset type selector switch allows PBXport to emulate the handset microphone signal to match your telephone's characteristics. Simply disconnect the handset coily cord from the base of your telephone, and connect this handset cord to the PBXport handset jack. Now connect the supplied cord from the PBXport phone jack to the handset jack on your telephone base. Handset and Phone jacks are located on both the front and back of the unit for your convenience. The PBXport redundant handset and phone jacks were designed to be used in an either-or scenario for convenience only. The PBXport was not designed to be connected to two telephones simultaneously. The handset microphone will be disconnected when you press the Online button, and reconnected when you press the Handset button. A jumper setting within the unit will allow you to keep the handset speaker active at all times or force it to disconnect when the Online button is pressed.

PBXport can turn your multi-line digital phone system into a simple talk show controller. Other applications include: telephone interviews, talk shows, church PA interface, and conference room full duplex applications. PBXport will work with digital PBX telephones, single and multi-line analog phones, ISDN telephones, IP telephones and virtually any other telephone that does not have a keypad in the handset.

# JK Audio

Telephone Interface Products

815-786-2929

1-800-JK-Audio

[www.jkaudio.com](http://www.jkaudio.com)

# PBXport

## Rackmount PBX Digital Hybrid

### Features



### Front Panel

Handset Button

Online LED

Power LED

Online Button

Transmit and Receive LEDs

Send, Caller, Send>Mix and Mix<Caller volume controls

3 position handset type switch

Mix Monitor 1/4" headphone jack

Mix Monitor volume control

Handset jack

Phone jack



### Rear Panel

Phone Jack

Handset Jack

Screw Terminal Block

Male Caller XLR output

Male Mix XLR output

Female Send XLR input with mic/line switch

AC power connection

# JK Audio

Telephone Interface Products

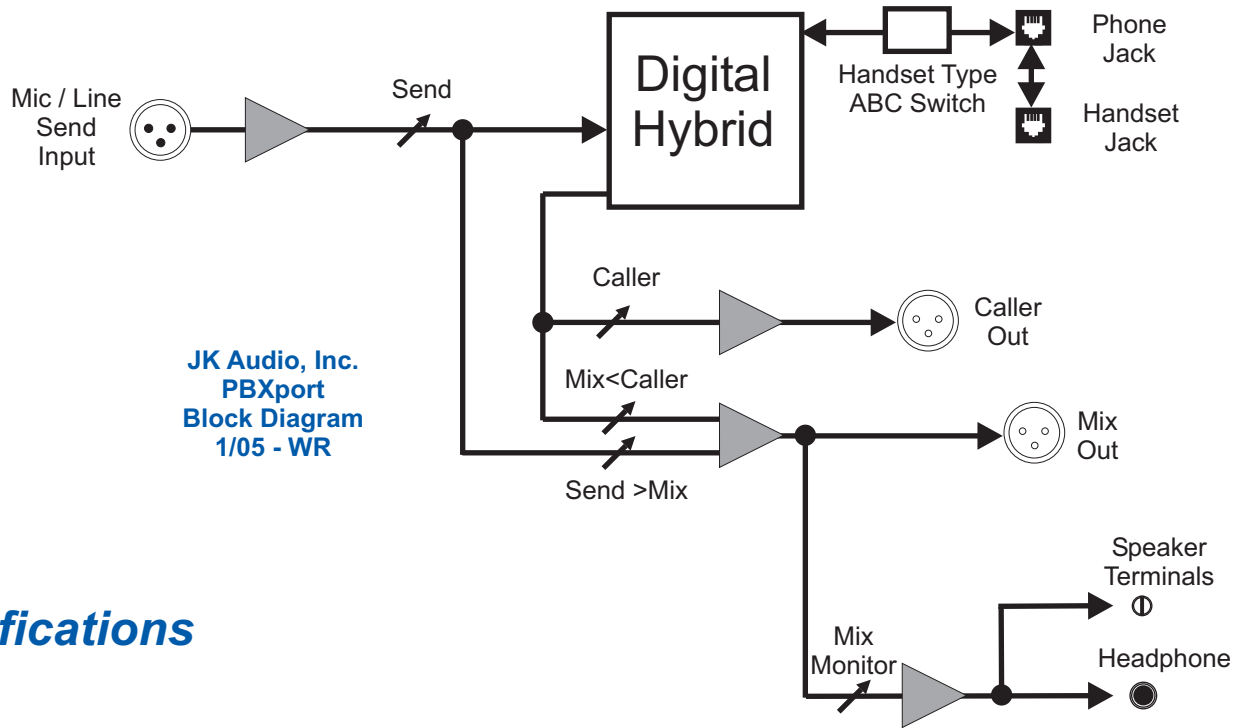
815-786-2929

1-800-JK-Audio

[www.jkaudio.com](http://www.jkaudio.com)

# PBXport

## Rackmount PBX Digital Hybrid



## Specifications

### Inputs:

Send Input: Female XLR 1 kohm, 10 mV RMS nom.  
(-38 dBu nom.)  
Mic/Line pad switch  
Line = +5 dBu nom.

### Outputs:

Caller Out: Male XLR 200 ohms, 500 mV RMS nom.  
+14 dBu Max output.

Mix Out: Male XLR 200 ohms, 500 mV RMS nom.  
+14 dBu Max output.

Headphone: 1/4" Stereo 8 ohms, 250 mW per ch.

Speaker: Screw Terminals 8 ohms, 1 watt max

### Screw Terminal Block:

Monitor speaker output  
Remote status LED  
Remote online (NO)  
Remote disconnect (NO)

Handset Connector: RJ22

Phone Base Connector: RJ22

Power: 100-240 VAC, 50-60 Hz

Isolation: 1500 VAC

Size: 19"x7.3"x1.75"  
(48.3 x18.6x4.5 cm)

Weight: 5.4 pounds (2.4 kg)

# JK Audio

Telephone Interface Products

815-786-2929

1-800-JK-Audio

[www.jkaudio.com](http://www.jkaudio.com)