

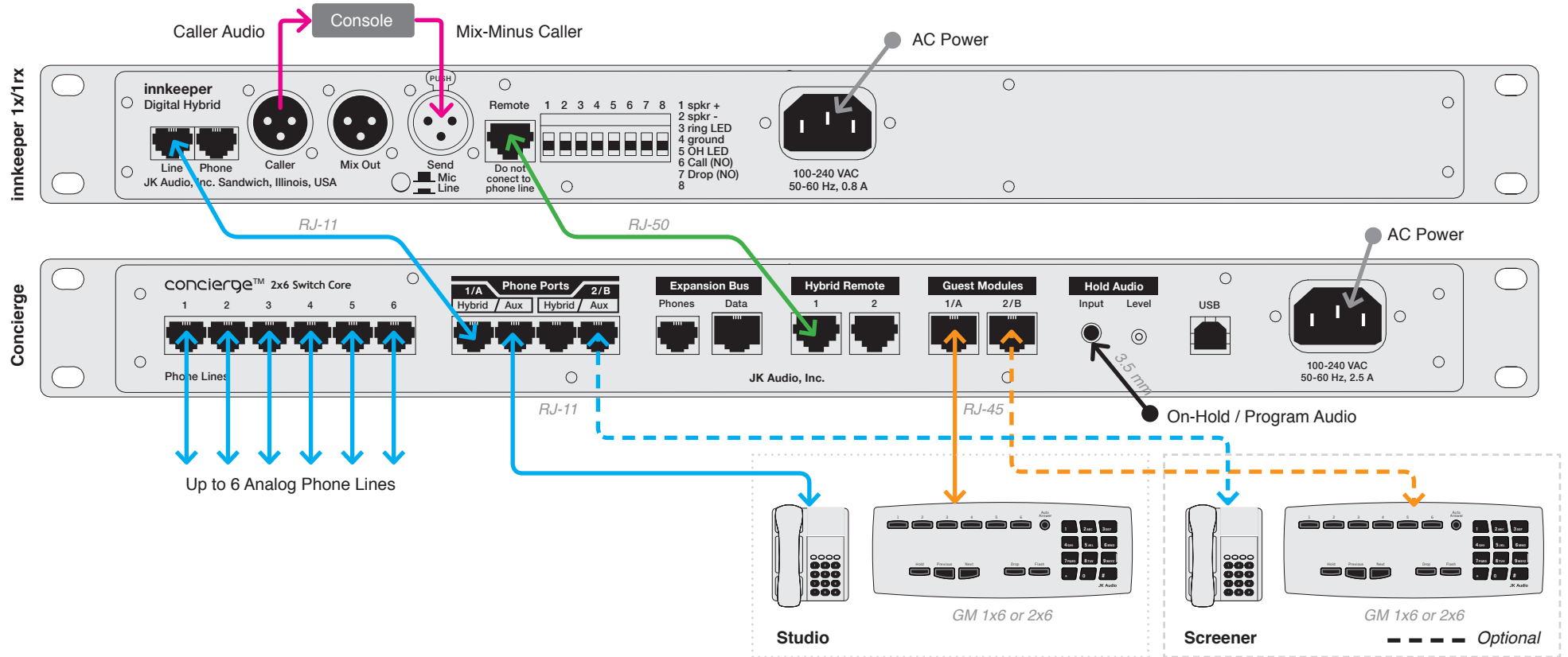
Quick Installation Guide

Installations

- | | | | |
|----|-----------|----------|--------------------|
| 2) | 1 Studio | 6 Lines | 1 innkeeper 1x/1rx |
| 3) | 1 Studio | 6 Lines | 1 innkeeper 2 |
| 4) | 1 Studio | 12 Lines | 1 innkeeper 1x/1rx |
| 5) | 2 Studios | 6 Lines | 2 innkeeper 1x/1rx |
| 6) | 2 Studios | 6 Lines | 1 innkeeper 2 |
| 7) | 2 Studios | 12 Lines | 1 innkeeper 2 |
| 8) | 2 Studios | 12 Lines | 2 innkeeper 1x/1rx |

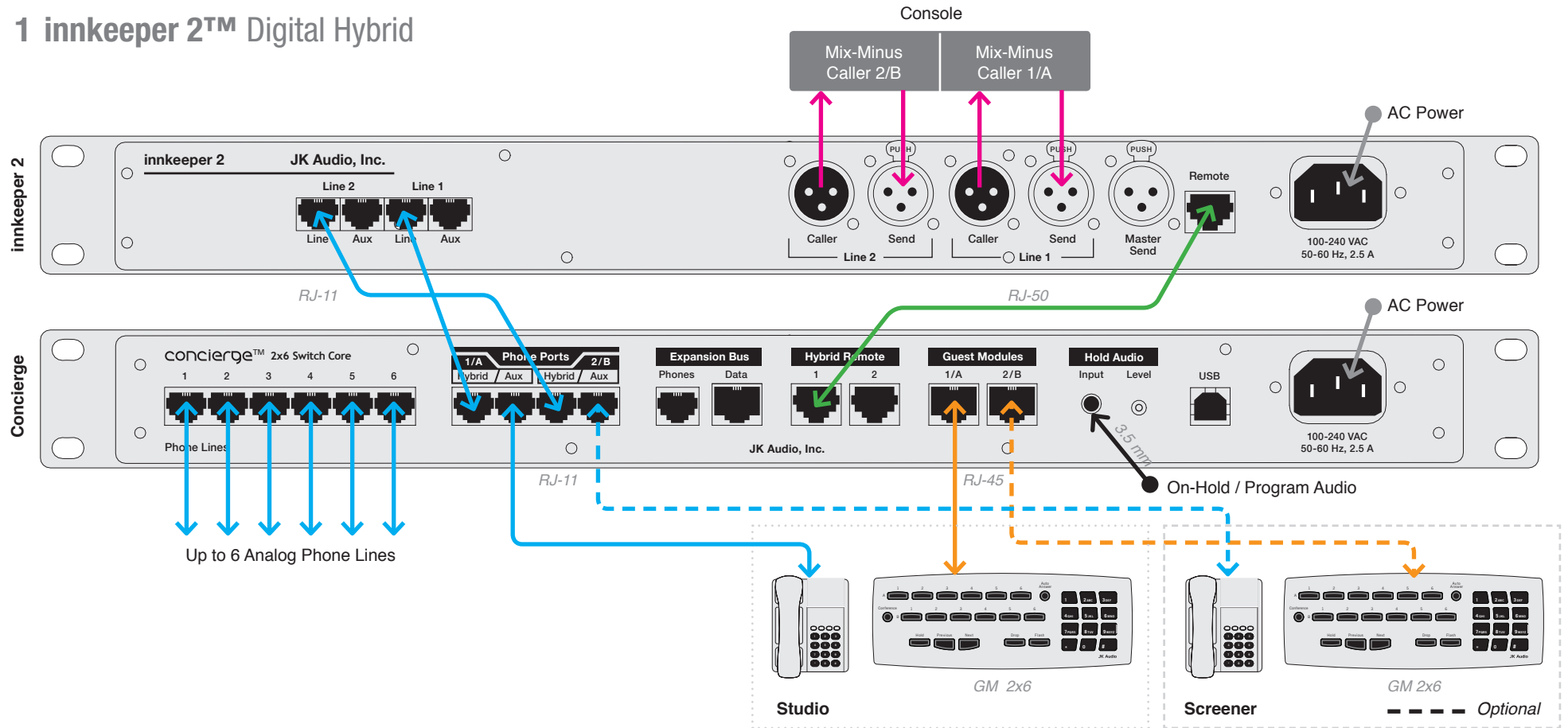
1 Studio: 6 Lines

1 innkeeper 1x/1rx™ Digital Hybrid



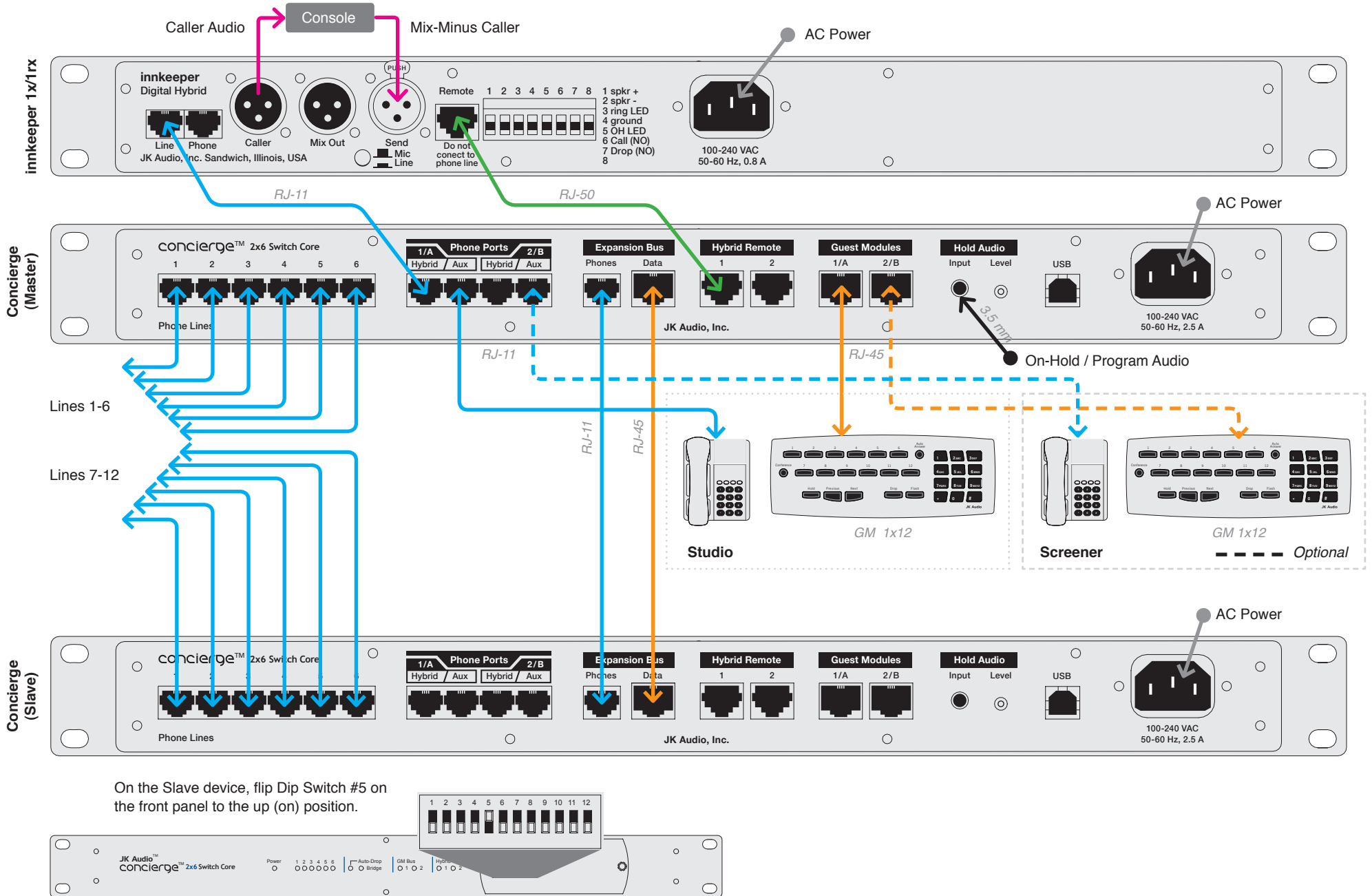
1 Studio: 6 Lines

1 innkeeper 2™ Digital Hybrid



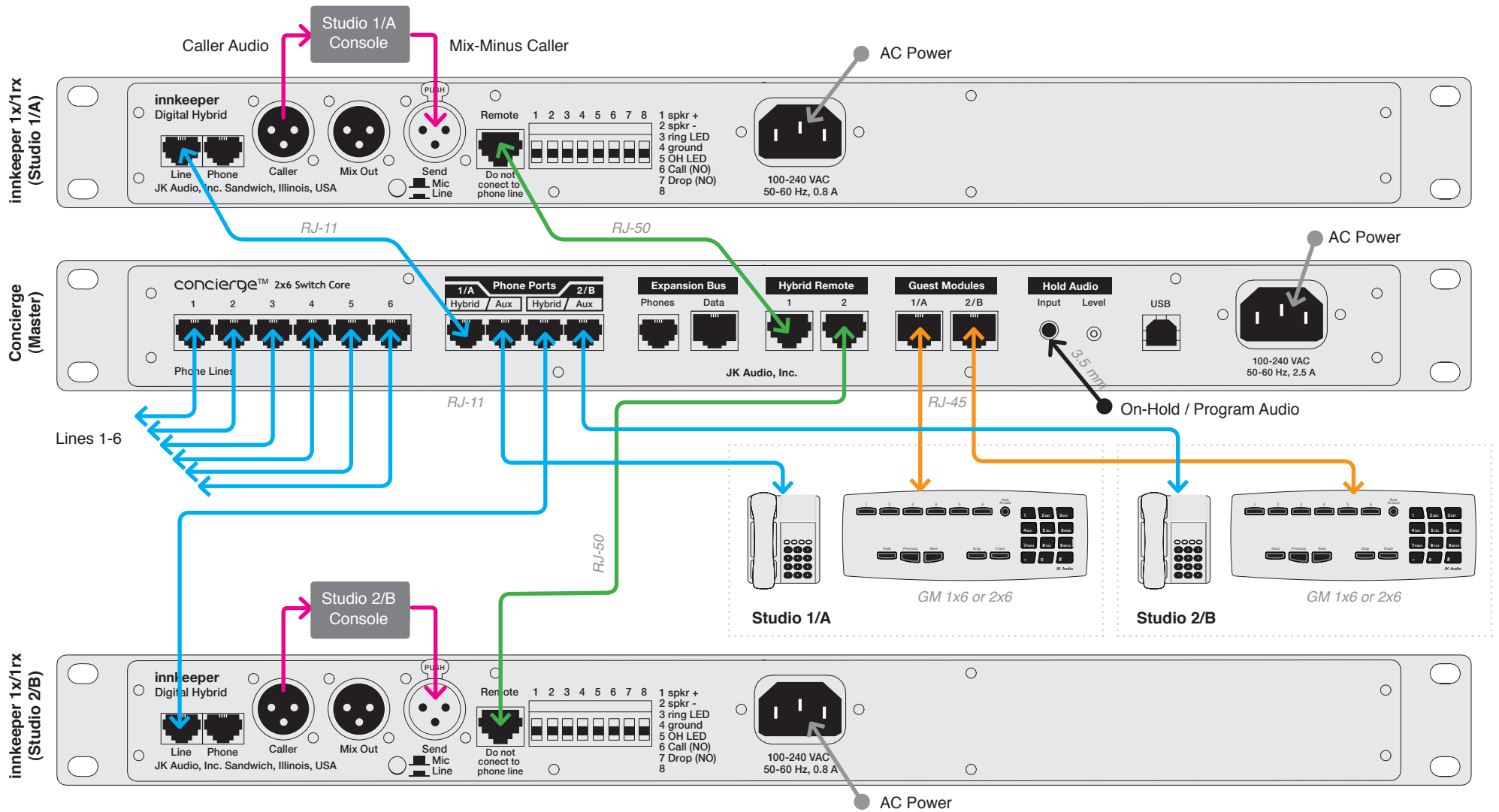
1 Studio: 12 Lines

1 innkeeper 1x/1rx™ Digital Hybrid



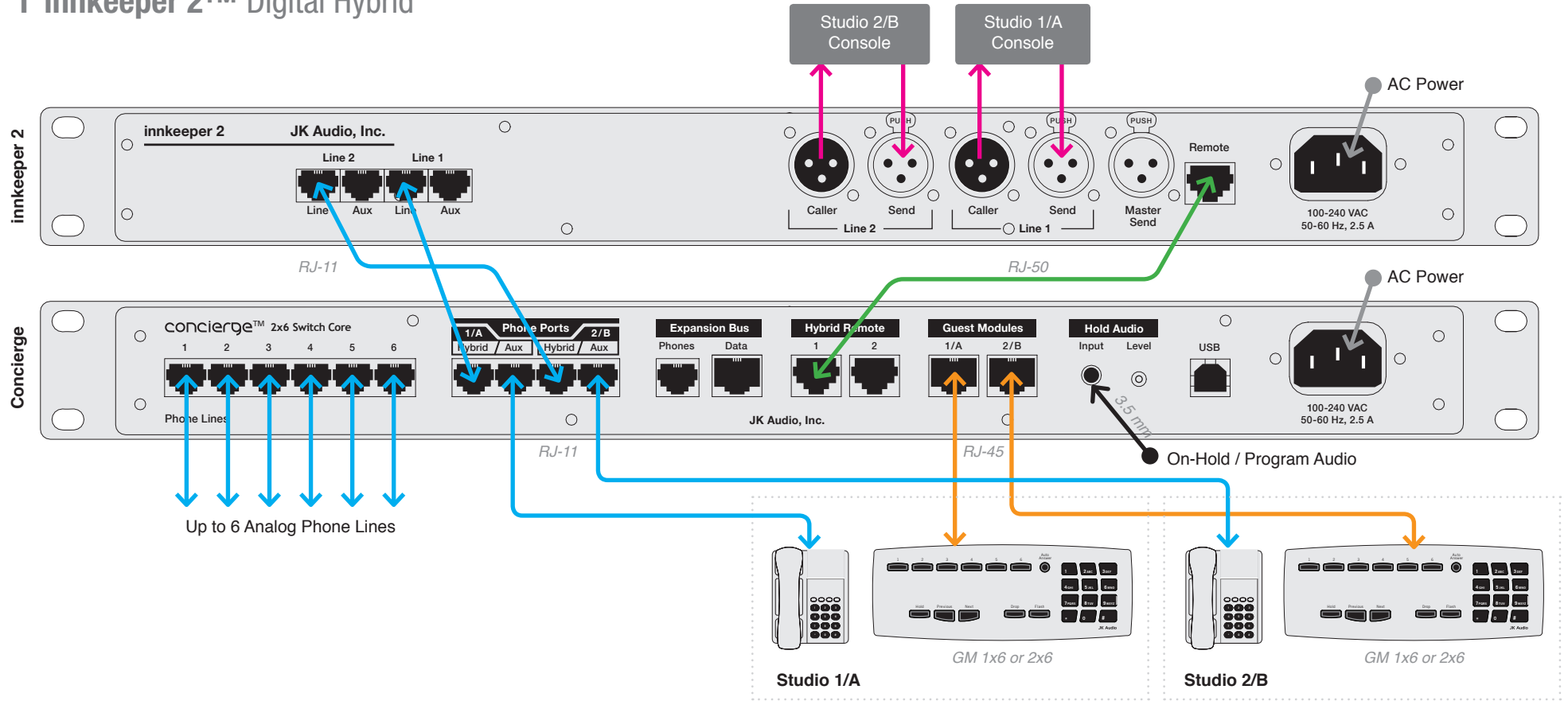
2 Studios: 6 Lines

2 innkeeper 1x/1rx™ Digital Hybrids



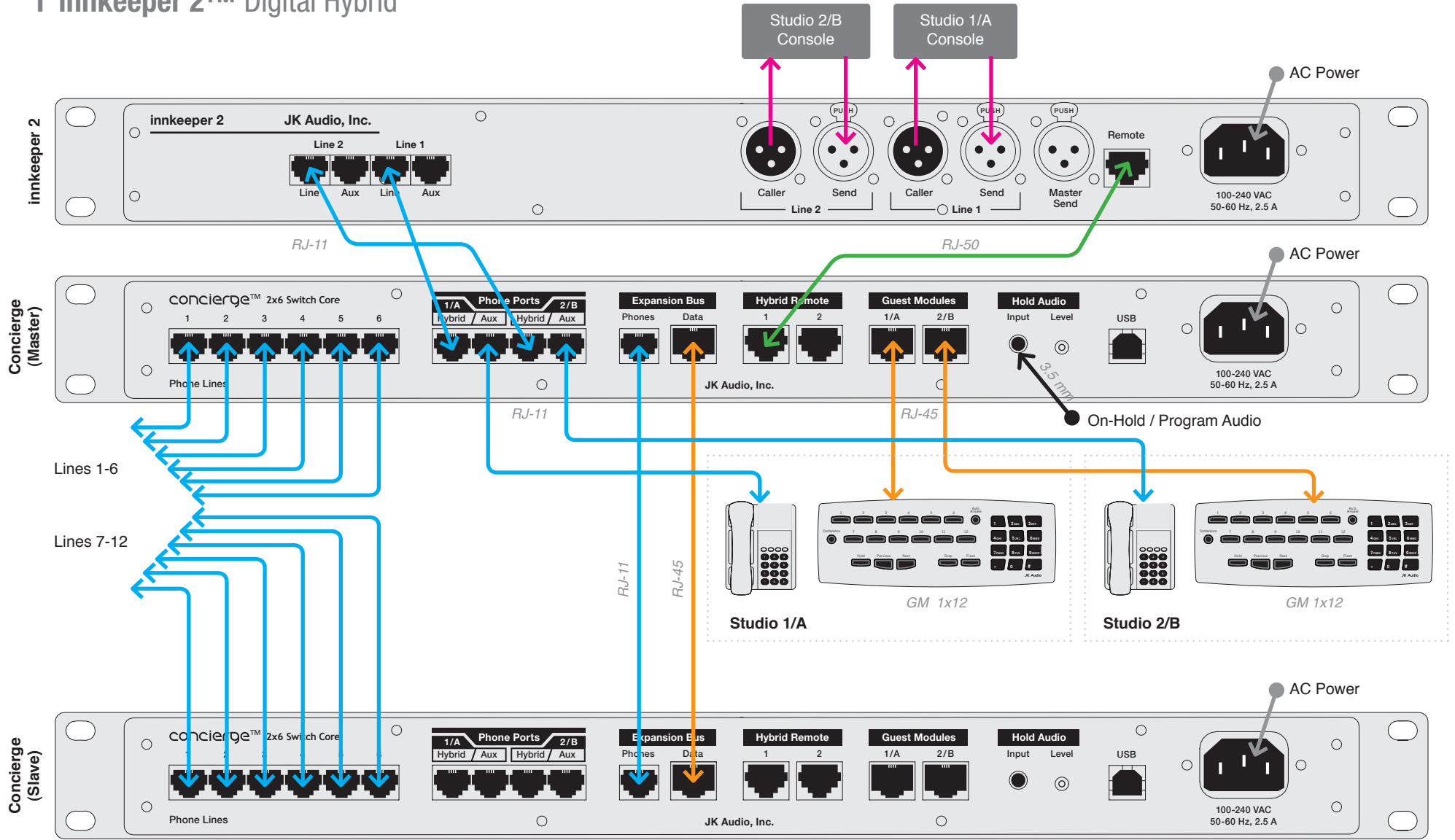
2 Studios: 6 Lines

1 innkeeper 2™ Digital Hybrid

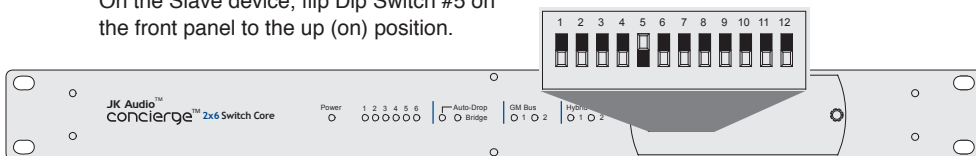


2 Studios: 12 Lines

1 innkeeper 2™ Digital Hybrid



On the Slave device, flip Dip Switch #5 on the front panel to the up (on) position.



2 Studios: 12 Lines

2 innkeeper 1x/1rx™ Digital Hybrids

