

# RemoteMix One™

FIELD INTERVIEW TOOL



## FEATURES

- XLR Mic Input
- Mic Mute switch
- 3.5 Mm Stereo Line Input and Output
- 1/4" Stereo Headphone Jack
- 3-Conductor 2.5mm Headset Interface (Most Legacy Phones)
- 4-Conductor 3.5mm Headset Interface (iPhone, most Android Phones & Notebooks)
- >20 Hours on one 9 Volt Alkaline Battery

## OVERVIEW

JK Audio combines professional audio electronics with a flexible communications interface in a rugged new belt pack design. RemoteMix One™ offers a professional look and feel to field reporters and live remote talent.

RemoteMix One™ performs live man-on-the-street interviews through your cell phone and can provide two-way IFB connections through a cell phone or notebook for truly flexible remote monitoring.

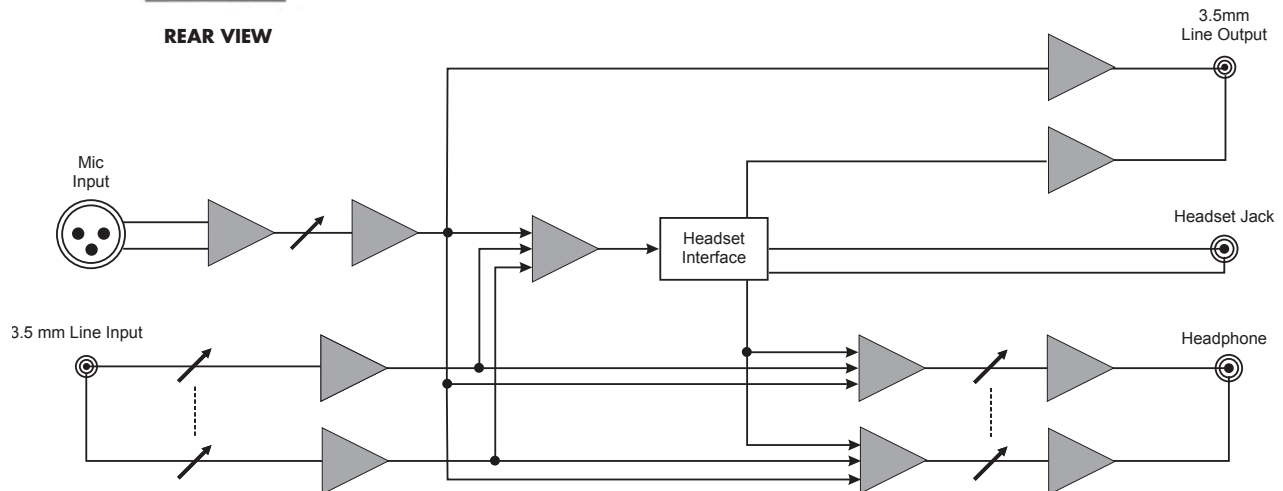
Connect to cell phones and notebooks through the wired headset jack. This professional microphone preamp and powerful headphone amplifier provide a vast improvement in sound quality. A 3.5 mm stereo line input jack allows recordings to be mixed into the broadcast. The 3.5 mm stereo line output jack provides your full bandwidth microphone signal on the left channel and the return audio on the right channel.

The stereo headphone output gives you a mix of the XLR microphone input, 3.5 mm input, and return audio. This powerful 1/2 watt stereo headphone amplifier will cut through any crowd noise.

Use as a headset replacement for normal voice calls, or transmit full bandwidth audio using third party CODEC apps. Replaceable interface cables connect to most phones and notebooks.



REAR VIEW



## SPECIFICATIONS

Power	9 VDC Battery
Size	4.7" x 3.75" x 1.65" (12 x 9.5 x 4.2 cm)
Weight	10 ounces (275 grams)

INPUT	Impedance / Level (Line)
Female XLR Mic	2k ohms / -35 dBu nom
3.5mm Stereo	20k ohms / -10 dBu nom

OUTPUT	Impedance / Level (Line)
3.5mm Stereo	100 ohms, -10 dBu nom
Headphone 1/4"	8 ohms / 1/2 watt per channel