

Interchange LTD™

Intercom Phone Bridge + Digital Hybrid



FEATURES

- » Male and Female 3 Pin XLR Intercom Loop Jacks
- » Male XLR Mix Line Out for Monitoring
- » Send and Receive LED Metering
- » Front Panel Screwdriver Level Controls
- » Front Panel Channel Select
- » Front Panel Cell Phone Interface
- » Listen Always, Talk when Talk-Enabled
- » Enable/Disable Auto-Answer
- » 16-bit DSP Technology
- » Front Panel Off-Hook LED
- » Send and Caller Signal Level LEDs

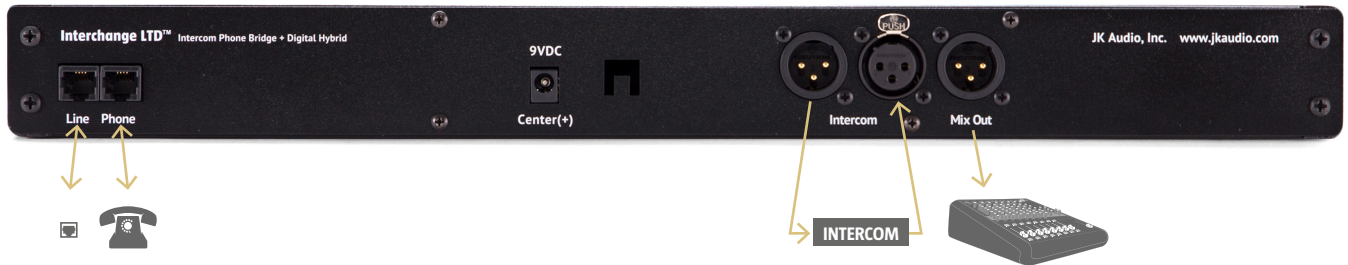
Turn Your Phone Line Into a Party-Line.

Interchange LTD allows remote access to your party-line intercom system. This 1RU rackmount interface includes a digital hybrid for connection to analog (POTS) phone lines. The front panel headset interface jack allows easy connection to your wireless phone, tablet, or computer allowing remote access through a phone call or conferencing app. The front panel DTMF keypad and headset jack allow easy call setup.

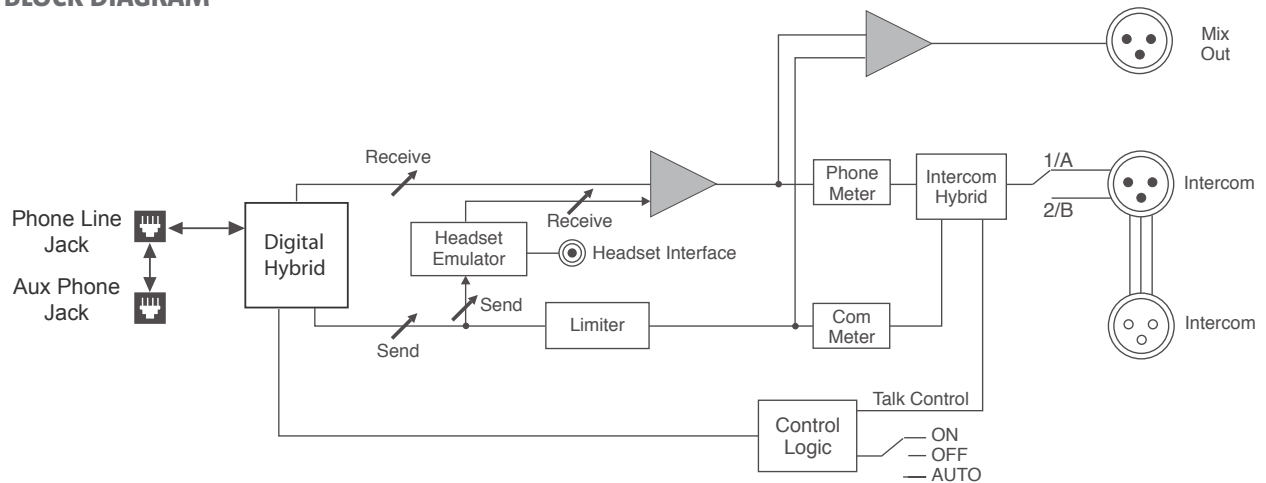
The internal digital hybrid connects intercom audio to a standard analog telephone line without the transmit/receive crosstalk common to analog hybrids. Its DSP continuously monitors both the phone line and audio signals to deliver excellent separation. This proprietary, dual-convergence echo canceller algorithm can achieve excellent separation, typically exceeding 50 dB, without any setup and without sending a noise burst down the line.

Interchange LTD™

Intercom Phone Bridge + Digital Hybrid



BLOCK DIAGRAM



SPECIFICATIONS

Intercom Channel

Connection:	Male & Female 3-pin XLR
Output Level:	-10 dBu (250 mV RMS) nominal
Terminating Impedance:	200 ohms
Bridging Impedance:	>15k ohms
Pin 1:	Common
Pin 2:	Audio + 30 VDC (+12 VDC min) 50 mA
Pin 3:	Audio

Headset Interface

Connection:	3.5 mm TRRS
Frequency Response:	Wireless Interface 50 Hz - 7 kHz (HD Voice)

Output

Balanced Male XLR:	200 ohms / 500 mV RMS (-4 dBu nom) +12 dBu max
---------------------------	--

Misc.

Ring:	0.8B REN
Isolation:	1500 VAC
Frequency Response:	Telephone Side 200 Hz - 3600 Hz
Monitor Headset Jack:	3.5 mm TRRS
Power:	120-240 VAC Power Supply (included)
Size:	19" x 5.4" x 1.75"
Weight:	5.2 lbs

