

# Interchange™

## Intercom Phone Bridge



## FEATURES

- » Male and Female 3 pin XLR Intercom Loop Jacks
- » Male and Female 3 pin XLR 4-wire Jacks
- » Male XLR Mix Line Out for Monitoring
- » Send and Receive LED Metering
- » Front Panel Screwdriver Level Controls
- » Front Panel Channel Select
- » Front Panel Cell Phone Interface
- » Listen Always, Talk when Talk-Enabled
- » Intercom and Phone Hybrid Powered

## Accessories

### RA2™ Rack Mount Panel

The RA2 holds two Interchanges. Alternatively, RA2 holds one Interchange and one innkeeper LTD Digital Hybrid or AutoHybrid IP2 in a 1U rack space.



## The Missing Link.

Interchange allows remote access to your party line intercom through select JK Audio POTS and VoIP phone hybrids. This professional half rack interface provides a four wire audio interface and remote control connection for JK Audio innkeeper LTD, innkeeper 1x/1rx™, or innkeeper 2™ Digital Hybrids for POTS lines. Likewise, couple a JK Audio AutoHybrid IP2™ for VoIP or AoIP connections. The front panel headset interface jack allows easy connection of your mobile phone, tablet, or computer allowing remote access through a wireless phone or conferencing app.

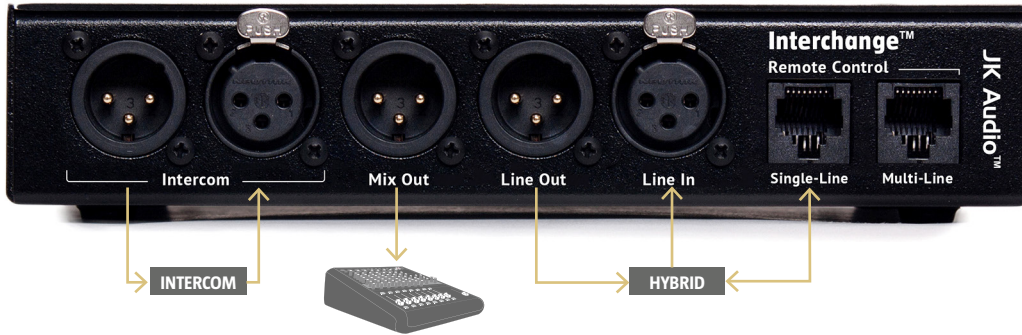
Interchange contains a sophisticated intercom hybrid in a low noise pro audio design. The Listen-Always design allows both the phone hybrid / 4-wire connection and the mobile phone headset interface to monitor the intercom just like any other belt pack. Listen mode is a high impedance bridging tap on the intercom line. Talk mode is enabled via a front panel switch, either Off, On, or Auto. Auto follows the phone hybrid Auto-Answer mode. Talk mode uses a solid state relay to properly couple Talk audio from the phone line and mobile phone interfaces, to the intercom channel.

The Innkeeper 2 and AutoHybrid IP2 conference features allows two callers to share one intercom connection. Alternatively, the included cables allow Line 1 and Line 2 of the Innkeeper 2 or AutoHybrid IP2 to be connected to two separate Interchange units, allowing connection to separate intercom loops.

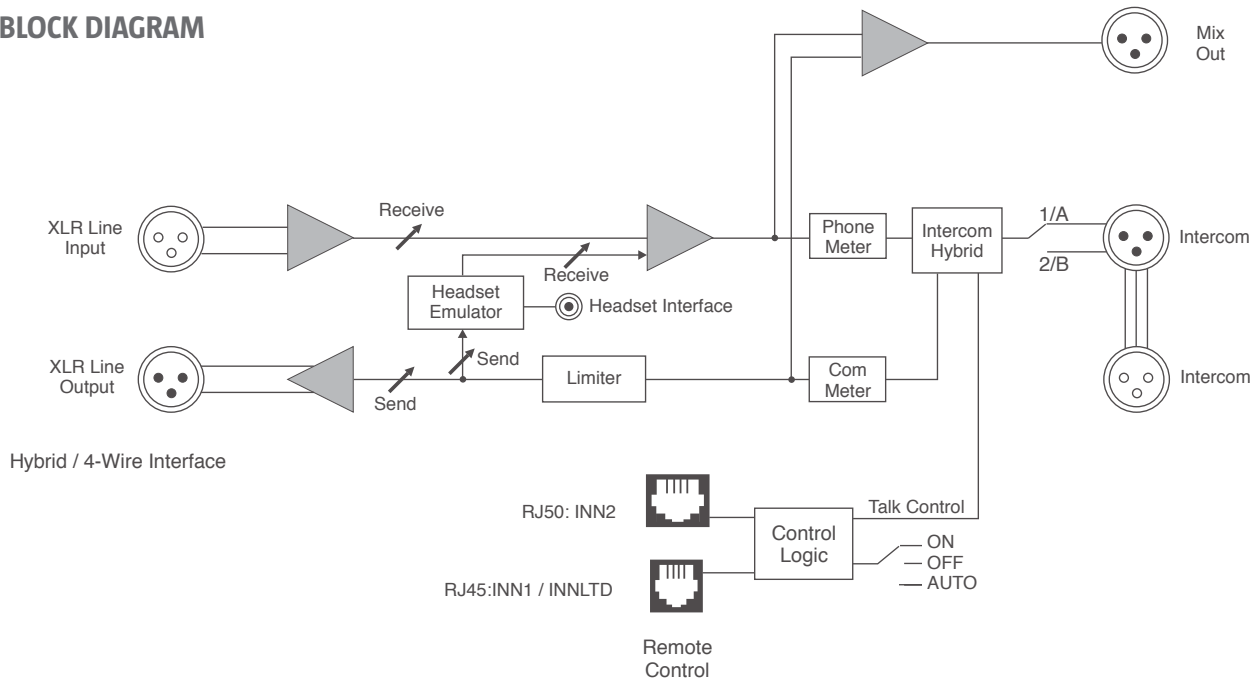
# Interchange™

## Intercom Phone Bridge

### REAR VIEW



### BLOCK DIAGRAM



### SPECIFICATIONS

#### Intercom Channel

<b>Connection:</b>	Male & Female 3-pin XLR
<b>Output Level:</b>	-10 dBu (250 mV RMS) nominal
<b>Terminating Impedance:</b>	200 ohms
<b>Bridging Impedance:</b>	>15k ohms
<b>Pin 1:</b>	Common
<b>Pin 2:</b>	Audio + 30 VDC (+12 VDC min) 50 mA
<b>Pin 3:</b>	Audio

#### Input

**Balanced Female XLR:** 20k ohms / 50 Hz - 20 kHz / 500 mV RMS (-4 dBu nom) +12 dBu max

#### Output

**Balanced Male XLR:** 200 ohms / 50 Hz - 20 kHz / 500 mV RMS (-4 dBu nom) +12 dBu max

#### Headset Interface

<b>Connection:</b>	3.5 mm TRRS
<b>Frequency Response:</b>	Wireless Interface 50 Hz - 7 kHz (HD Voice)
<b>Size:</b>	7.6" x 5.3" x 1.5" (20 x 14 x 4 cm)
<b>Weight:</b>	1.2 lbs (0.5 kg)

