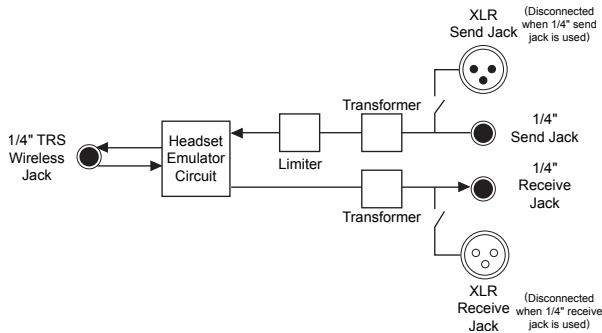


# Daptor Two™

## Wireless Phone Audio Interface

### BLOCK DIAGRAM



### FEATURES

	CT	D2	D3
» HD Voice Compatible (7 kHz Wide-Band Speech)	•	•	•
» Bluetooth Wireless Technology			•
» 4-conductor 3.5 mm Headset Interface	•	•	
» Switch Selects Between Popular TRRS Configurations	•		
» 3.5 mm Stereo Input			•
» 3.5 mm Stereo Output	•		•
» 3-pin XLR Input/Output		•	•
» 1/4" Input/Output		•	
» 3.5 mm TRRS Headset Jack	•		
» Screwdriver Caller Level Adjustment	•		
» Passive Design. No Battery or AC Required	•	•	
» > 18 Hours on one 9-volt Alkaline Battery			•

CellTap 4C and Daptor Three shown for comparison

CT = CellTap 4C    D2 = Daptor Two    D3 = Daptor Three

### Remote Broadcasts or IFB Feeds Over a Cell Phone?

Simply plug Daptor Two into the headset jack of any wireless phone or notebook computer that accepts a third party headset or earpiece. Send and receive voice band audio during regular calls, or full bandwidth audio using third party codec applications. Your device will recognize Daptor Two as a headset which will disable the internal mic and speaker.

**Audio Connections.** You may use either the XLR input or 1/4" input, not both. The XLR input jack is disconnected when a cable is plugged into the 1/4" input jack. The same is true for the XLR and 1/4" output jacks.

### SPECIFICATIONS



#### Input

Balanced Female XLR / Unbalanced 1/4" Mono:	600 ohms 250 mV RMS (-10 dBu nom, 0 dBu max)
---	---

#### Output

Balanced Male XLR / Unbalanced 1/4" Mono:	600 ohms 45 mV RMS (-25 dBu nom)
---	-------------------------------------

Size:	4.4" x 2.7" x 1.2" (11.2 x 6.9 x 3.5 cm)
-------	--

Weight:	9 oz. (250 g)
---------	---------------