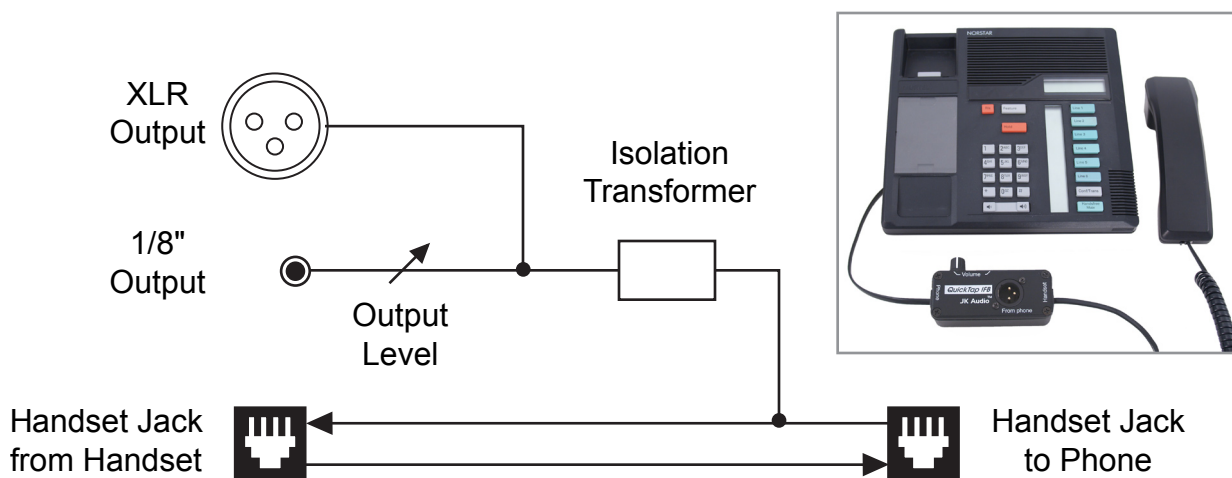


## QuickTap IFB TELEPHONE HANDSET IFB TAP

Connect the QuickTap IFB between your telephone and handset for quick access to audio from any telephone system.

Both audio output jacks contain a nice mix of the audio coming from the phone line and the handset audio going into the phone. Any conversation over the handset is sent over both audio output jacks. Or you can leave the handset disconnected and just hear audio from the far end of the call.

The QuickTap IFB does not work with cellular telephones or any telephone with a keypad in the handset.



### FEATURES

- Works with analog, digital, PBX, and ISDN telephones
- 600 ohm XLR male fixed output
- 600 ohm 1/8" mono output jack with attenuator
- No battery or AC adapter needed

### Specifications

	Output		Size: 3.7" x 1.6" x 1.3" (9.4 x 4.1 3.3 cm)
	1/8" (3.5mm) Mono	Male XLR	
Impedance:	600 ohms		Weight: 5 ounces
Level:	100 mV RMS (-18 dBu nom)		