



**FEATURES**

	BP	RM1
» HD Voice (Wide-Band Speech)	•	•
» Bluetooth Wireless Technology	•	
» 3-conductor 2.5mm Headset Interface		•
» 4-conductor 3.5mm Headset Interface		•
» Headphone, Mic, and Line Input Level Controls	•	•
» XLR Mic Input	•	•
» Mic Mute Switch		•
» 3.5mm Stereo Line Input	•	•
» 3.5mm Stereo Line Output	•	•
» ¼" Stereo Headphone Jack	•	•
» >10 Hours on one 9V Alkaline Battery	•	
» >20 Hours on one 9V Alkaline Battery		•

BluePack and RemoteMix One are shown for comparison

**BP** = BluePack      **RM1** = RemoteMix One

**When it Gets Down to the Wire.** And one of your cables has gone rogue, it's time for field reporting that is a little more portable. Don't get wrapped up in unnecessary cables. BluePack allows live man-on-the-street interviews through a cell phone equipped with Bluetooth Wireless Technology.

**Wireless Phones and Notebooks:**

BluePack pairs to your cell phone like a Bluetooth wireless headset. BluePack also pairs to Bluetooth equipped sound cards and music players in full bandwidth stereo A2DP mode. A 3.5 mm stereo line input jack allows recordings to be mixed into the broadcast.

The 3.5 mm stereo line output jack provides your full bandwidth microphone signal on the left channel and Bluetooth audio on the right channel. Like any phone call, live interviews are limited to 3.4 kHz voice bandwidth back to the station. However, this output allows you to make a full bandwidth recording to bring back to the station or send over the web.

**HD Voice.** While standard phone calls have a narrow bandwidth of 300 hz to 3.4 kHz, HD Voice calls offer 50 Hz to 7 kHz bandwidth. The additional 1.5 octaves on the low end gives voice a more natural sound, while the additional upper octave dramatically improves speech clarity and intelligibility.



**Wireless HD Calls.** To take advantage of this extended bandwidth, both phones on the call must support HD Voice, and both phones must be on the same carrier, in coverage areas that support HD Voice.

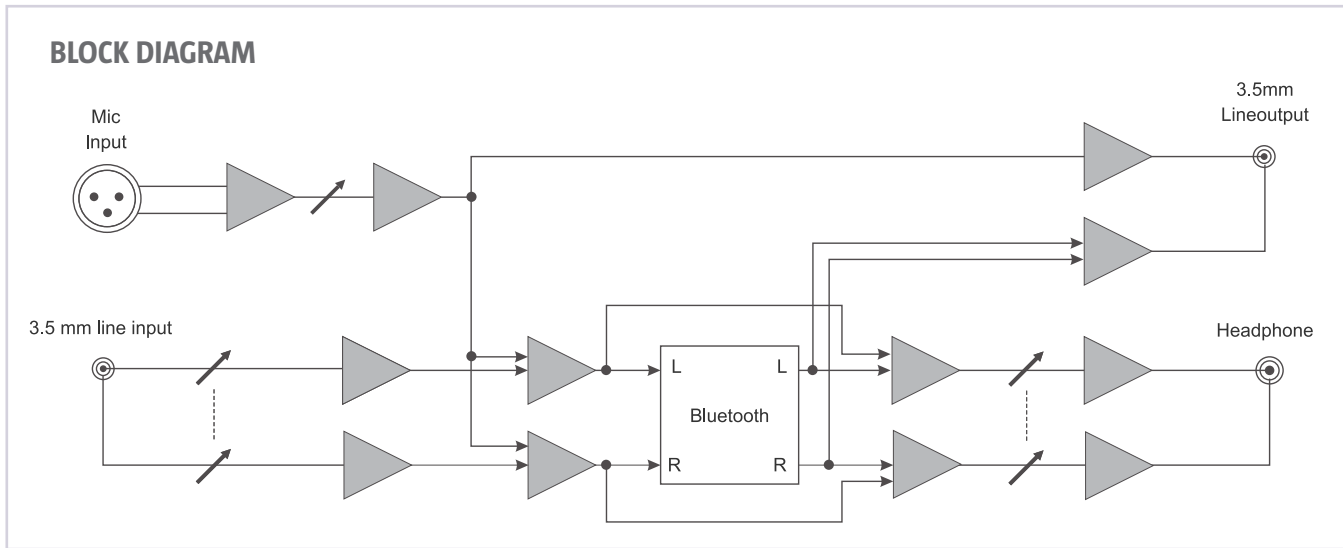




## REAR VIEW



## BLOCK DIAGRAM



## SPECIFICATIONS

### Input

<b>Female XLR:</b>	2k ohms / -34 dBu nom.
<b>1/8" (3.5mm) Stereo:</b>	20 k ohms / -10 dBu nom.

### Output

<b>1/8" (3.5mm) Stereo:</b>	100 ohms / -10 dBu nom.
<b>1/4" Stereo Headphone:</b>	8 ohms, 1/2 watt per channel

## Bluetooth Wireless Technology



<b>Standard:</b>	Bluetooth 3.0
<b>Range:</b>	66 feet (20 meters)
<b>Frequency Response:</b>	Hands-Free (phone): 300 Hz - 3400 Hz Hands-Free (HD Voice): 50 Hz - 7 kHz Headset mode: 30Hz - 17 kHz
<b>Size:</b>	4.7" x 3.75" x 1.65" (12 x 9.5 x 4.2 cm)
<b>Weight:</b>	10 ounces (275 grams)



The Bluetooth word mark and logos are owned by the Bluetooth SIG, Inc. and any use of such marks by JK Audio, Inc. is under license.

