

Innkeeper PBX

Desktop Digital Hybrid



Product Overview

The JK Audio Innkeeper PBX is a personal desktop digital hybrid capable of providing talk show quality phone interviews. Innkeeper PBX allows you to send mic and line level signals into your PBX telephone system while maintaining excellent separation between your voice and the caller. The stereo output jack on the back of the unit provides your voice on one channel and only the caller's voice on the other channel. The balanced XLR output jack contains only the caller's voice.

Innkeeper PBX provides connections for a microphone, headphones, mixer, sound card, telephone handset and your telephone set. Simply disconnect the handset coily cord from the base of your telephone, and connect this handset cord to Innkeeper PBX. Now connect the supplied cord from Innkeeper PBX to your telephone base. The handset is disconnected when you press the "Broadcast" button, and reconnected when you press the "Handset" button.

The digital hybrid connects audio signals to your PBX type telephone system through the telephone handset cord. The Digital Signal Processor (DSP) continuously monitors both the transmit and receive audio signals to deliver excellent separation. This proprietary, dual-convergence echo canceller algorithm can achieve excellent separation without any setup, and without sending a noise burst down the line.

Innkeeper PBX can turn your multi-line digital phone system into a simple talk show controller. Other applications include: telephone interviews, talk shows, church PA interface, and conference room full duplex applications.

JK Audio

Telephone Interface Products

815-786-2929

1-800-JK-Audio

www.jkaudio.com

Innkeeper PBX

Desktop Digital Hybrid

Features

- Transmit female XLR with mic/line switch
- Transmit volume control for XLR (send 1)
- Transmit 3.5mm stereo jack, left channel only, -10dBv input
- Transmit volume control for 3.5 mm mono input (send 2)
- Receive male XLR, +4dBv max output, caller audio only
- Receive volume control for XLR and 3.5 mm right channel
- Dual output 3.5mm stereo jack, left=send mix, right = caller, -10dBv avg. levels.
- Headphone jack, 3.5mm stereo, both sides mixed send and receive.
- Headphone volume control

Front Panel

- Handset Button
- Broadcast Button
- 3.5 mm headphone jack
- Status LED
- Transmit and Receive LEDs



Rear Panel

- Female Send XLR with mic/line switch
- Male Caller XLR
- Two 3.5 mm jacks
- 2.1 mm power jack (9 VDC, center +, regulated)
- Handset RJ22
- Phone RJ22
- 3 position handset type switch



JK Audio

Telephone Interface Products

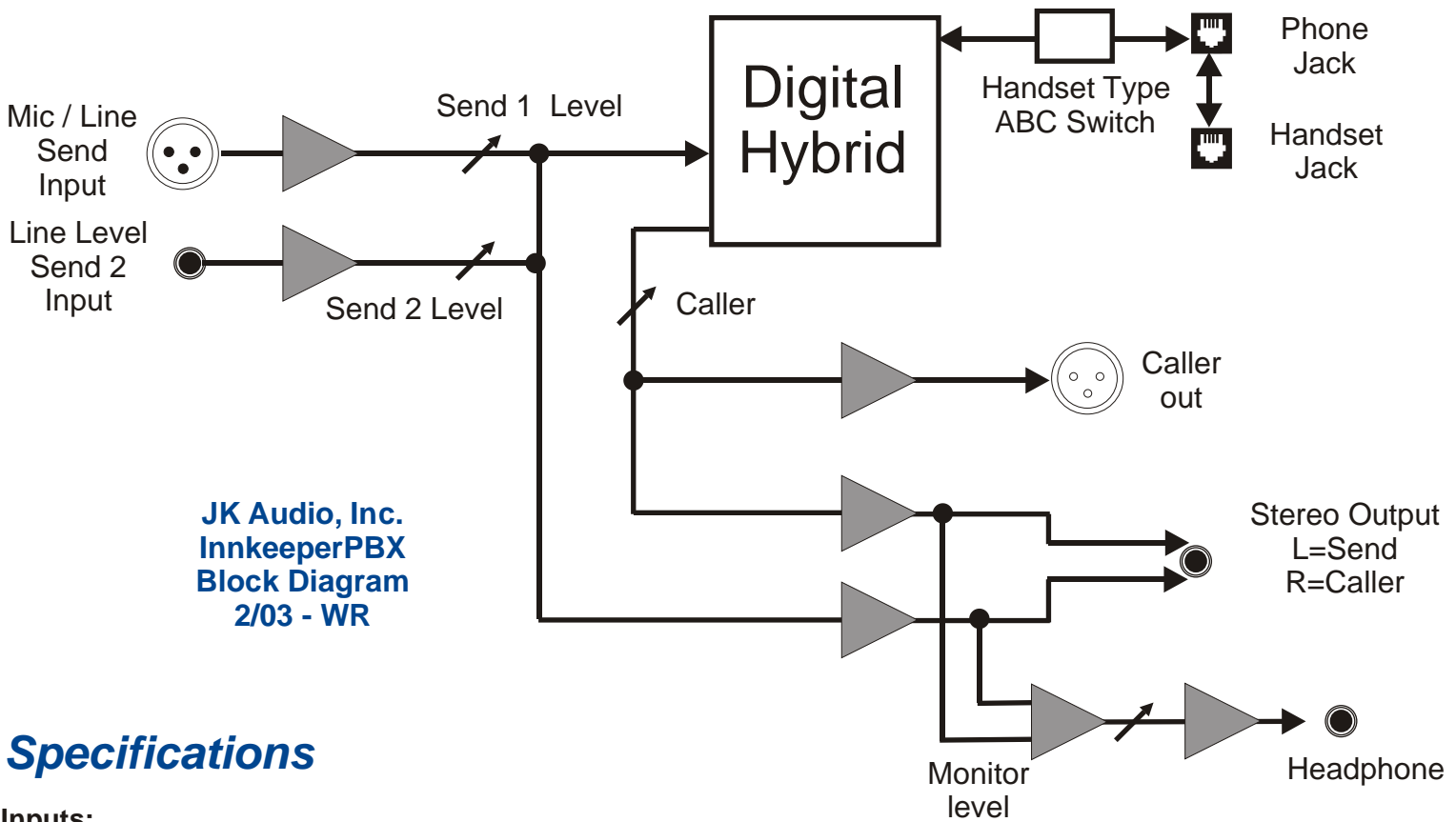
815-786-2929

1-800-JK-Audio

www.jkaudio.com

Innkeeper PBX

Desktop Digital Hybrid



Specifications

Inputs:

Transmit XLR:	Female XLR Mic/Line pad switch
Transmit 3.5mm:	3.5mm line in, -10dBv RMS input

Outputs:

Receive XLR:	Male XLR - Caller Audio only + 4 dBv Max output.
3.5mm Out:	Dual output stereo jack, Left channel = Transmit audio only Right channel = Caller audio only -10 dBv
Headphone:	3.5mm stereo mixed send and caller in both channels

Handset Connector:	RJ22
Phone Base Connector:	RJ22
Power: (included)	120-240 VAC power supply
Isolation:	1500 VAC
Size:	7" x 6" x 1.6" (18 x 15 x 4.2 cm)
Weight:	2.2 pounds

JK Audio

Telephone Interface Products

815-786-2929

1-800-JK-Audio

www.jkaudio.com