

NEW FOR 2010



Universal Host



BlueSet



BlueDriver

JK Audio
KEEPING YOU CONNECTED FOR OVER 18 YEARS

Universal Host™

Desktop Digital Hybrid

Universal Host easily converts your IP or PBX telephone into a professional, affordable interview station. This desktop digital hybrid provides talk show quality caller audio from most telephone systems. Simply connect between your telephone handset and the base of your telephone.

Talk Show Quality Interviews: Connect a professional dynamic mic and headphones to Universal Host to capture your voice in full audio bandwidth, while maintaining excellent separation between your voice and the caller.

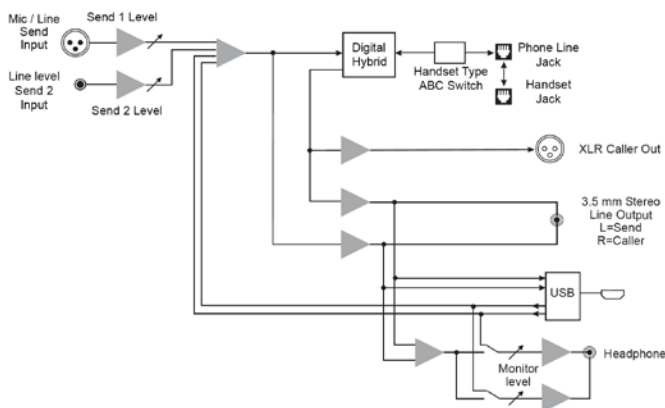
Conference Room: Easily connect your PA system to the existing IP or PBX telephone system. The echo canceller algorithm prevents feedback and allows full duplex conversations.

The 16 bit USB audio CODEC allows stereo recording at up to 48 kHz sampling rate, with the talent voice on the left channel in full bandwidth, and the caller on the right. Play recordings from your computer directly into the phone system.

The digital hybrid connects audio signals to your IP or PBX type telephone system through the telephone handset cord. The Digital Signal Processor (DSP) continuously monitors both transmit and receive audio signals to deliver excellent separation. This proprietary, dual-convergence echo canceller algorithm can achieve excellent separation without any setup, and without sending a noise burst down the line.

Universal Host provides connections for a microphone, headphones, mixer, sound card, and telephone handset. The stereo output jack on the back of the unit provides your voice on one channel and only the caller's voice on the other channel. The balanced XLR output jack contains only the caller's voice. The Handset and Online buttons select between talking on the handset, or sending and receiving through the audio connections. A second switch selects between monitoring the caller or listening to the USB CODEC over the headphones.

Simplified Block Diagram



FEATURES

- 16 bit USB Audio CODEC
- Excellent separation of caller and talent voice
- 16 bit DSP technology
- Proprietary auto null algorithm, 50 dB null
- XLR input (mic/line switch)
- 3.5 mm line input
- XLR caller output
- 3.5 mm line output
- 3.5 mm headphone jack, source selector switch
- Send & Caller LEDs
- Switch selects between electret, dynamic, and carbon handset types

Price: \$649.00 US

Specifications

Input Impedance/Level:	
Mic/Line Balanced	1 k ohms / 15 mV RMS (-34 dBu) nom
Female XLR	Mic/Line pad switch = +6 dBu max
Line, 3.5 mm mono	20k ohms / 250 mV RMS(-10 dBu nom)
Output Impedance/Level:	
Balanced Male XLR	200 ohms / 500 mV RMS(-4 dBu) nom +14 dBu max, Caller Only
Unbalanced 3.5mm Stereo	50 ohms / 250 mV RMS (-10 dBu) nom +6 dBu max Left = Send Right = Caller
Headphone 3.5mm Stereo	8 ohms / 1/2 watt per channel
Handset:	RJ22 4P4C
Phone Base:	RJ22 4P4C
Handset Type:	Switch selects electret, dynamic, or carbon handset mic types
Isolation:	1500 VAC
Frequency Response:	Telephone side 200 Hz - 3600 Hz
USB	
Connector:	Mini Type B female
Standard:	v2.0
Sampling Rates:	32kHz, 44.1 kHz, 48 kHz
Power:	120-240 VAC power supply (included)
Size:	7" x 6" x 1.6" (18 x 15 x 4.2 cm)
Weight:	2.2 pounds (1 kilogram)



BlueSet™ Wireless Headset Interface



JK Audio introduces the BlueSet™ series of intercom headset adapters using **Bluetooth®** Wireless Technology. These headset interfaces plug directly into most Party-Line (PL) belt packs, replacing the wired headset.

A 3.5 mm stereo headset jack contains a mic level output signal suitable for recording, with the beltpack headphone signal on the left channel, and the **Bluetooth** return signal on the right.

A switch selects between connection to a 3rd party **Bluetooth** headset or a cell phone.

Headset Connect:

Pair BlueSet to your **Bluetooth** headset. Leave your belt pack on the desk as you walk around the room. Some **Bluetooth** headsets allow you to switch between two phones, or in this case, switch between your intercom and your cell phone.

Phone Connect:

Pair BlueSet to your cell phone to extend your system around the world. The belt pack Mic/Talk button controls audio from the cell phone into the intercom system.

Intercom Headset Compatibility:

Female and Male XLR four and five pin versions available:
BlueSet-F4, BlueSet-F5, BlueSet-M4, BlueSet-M5

FEATURES

- Electret / Dynamic headset compatibility
- 3.5 mm mic level output
- Mini USB power jack
- >10 hours on internal Li-Ion battery
- Trim pot adjusts Bluetooth return

Price: \$249.00 US



BlueSet F4 4-pin female BlueSet M4 4-pin male



BlueSet F5 5-pin female BlueSet M5 5-pin male

Interfacing BlueSet with a Beltpack



Specifications

Recording output

Connection: 1/8" (3.5mm) Stereo
Impedance: 1000 ohms
Level: 15mv RMS (-34dBu) nom

Bluetooth

Standard: Bluetooth 2.0
Distance: 33 feet (10 meters)
Profile: HF = full duplex voice, 300Hz-3400Hz
Power: 120-240 VAC power supply (included)
Battery: Internal Lithium-Ion Polymer rechargeable
Size: 1.1" x 4.4" (2.8 cm x 11.2 cm)
Weight: 2.1 Ounces (60 grams)

The Bluetooth word mark and logos are owned by the Bluetooth SIG, Inc. and any use of such marks by JK Audio, Inc. is under license. Other trademarks and trade names are those of their respective owners.

Clear-Com is a registered trademark of the Vitec Group and is not affiliated with JK Audio.



BlueDriver™ Wireless Audio Interface



JK Audio introduces the BlueDriver™ series of audio interface adapters using **Bluetooth®** Wireless Technology.

BlueDriver-F3™ plugs directly into a dynamic mic or the mic level output from a mixing console. Pair to your **Bluetooth** enabled cell phone or headset. The 3.5 mm stereo jack contains a mic level output suitable for recording, with the clean mic signal on the left channel and the **Bluetooth** return on the right.

BlueDriver-M3™ plugs into the mic input channel of a mixer. Pair to your **Bluetooth** equipped cell phone or headset. The 3.5 mm jack will accept a signal from the headphone output of the mixer for transmission back to the cell phone or headset.

A switch on either unit selects between connection to a 3rd party **Bluetooth** headset, or a cell phone.

Headset Connect:

Pair BlueDriver™ to your 3rd party **Bluetooth** headset. Some **Bluetooth** headsets allow you to switch between your audio device and a cell phone.

Phone Connect:

Pair BlueDriver™ to your cell phone to call into the station or bring in caller audio.



BlueDriver F3
3 pin female



BlueDriver M3
3 pin male

FEATURES

BlueDriver-F3

- 3 pin female XLR input
- Trim pot adjusts mic level
- 3.5 mm mic level output

BlueDriver-M3

- 3 pin male XLR output
- 3.5 mm line level input
- Mini USB power jack
- > 10 hours on internal Li-Ion battery

Price: \$249.00 US

Blue Driver plugged onto a microphone



Specifications

BlueDriver-F3

Input Connection:	3 pin female XLR
Input Impedance:	1 k ohms
Input Level:	-34 dBu nom
Output Connection:	3.5 mm stereo
Output Impedance:	1.1k ohms
Output Level:	-34 dBu nom

BlueDriver-M 3

Input Connection:	3.5 mm stereo
Input Impedance:	20k ohms
Input Level:	-10 dBu nom
Output Connection:	3 pin male XLR
Output Impedance:	1k ohms
Output Level:	-34 dBu nom'

Bluetooth

Standard:	Bluetooth 2.0
Distance:	33 feet (10 meters)

Profile:

HF = full duplex voice, 300Hz-3400Hz
A2DP = 30Hz-17kHz, master to slave

Power:

120-240 VAC power supply (included)

Battery:

Internal Lithium-Ion Polymer rechargeable

Size:

1.1" x 4.4" (2.8 cm x 11.2 cm)

Weight:

2.1 Ounces (60 grams)



The Bluetooth word mark and logos are owned by the Bluetooth SIG, Inc. and any use of such marks by JK Audio, Inc. is under license. Other trademarks and trade names are those of their respective owners.