

AutoHybrid IP2™

VoIP/AoIP Codec



FEATURES

- » Simple 2-Line VoIP Call Control, Auto-Answer, and Conference
- » Caller ID
- » G.711, G.722 (HD Voice) VoIP Hybrid
- » 24-bit AoIP Wide Band Stereo Codec
- » AGC & Ducking
- » Send and Receive LED Metering
- » Female XLR Line Input (2)
- » Male XLR Line Output (2)
- » LAN, USB, Remote Control Connections
- » Rear Panel Recessed Level Controls
- » Remote Control I/O Terminal Block
- » PoE or AC Mains Powered
- » Optional RA2 Rack Mount Adapter



A Smooth Transition from POTS to IP.

This simple product plays a critical role in studio interview, monitoring, and IFB applications. As the name implies, AutoHybrid IP2™ functions as a two-line VoIP hybrid. The desktop/half-rack design provides one button access to the common features of a phone line hybrid including: call control, auto-answer, and conference. Advanced call control features and VoIP line setup are provided through the internal web server. In VoIP mode, Line-level XLR jacks provide mono send and receive audio for Line 1 and Line 2.

Stream Wide Band Stereo Audio.

AutoHybrid IP2 also functions as an Audio over IP (AoIP) Codec, streaming wide-band stereo audio. In AoIP mode, the XLR jacks provide stereo send and receive audio.

Compatible with your Party Line Intercom.

The AutoHybrid IP2 Remote jack allows easy connection to the JK Audio Interchange™ Intercom Phone Bridge, offering an auto-answer VoIP connection into your party-line intercom.

Energy Efficient.

Low power consumption for Power over Ethernet (PoE) applications. External power supply included for LAN connections without PoE capability.

RA2™ Rack Panel

The RA2 holds two AutoHybrid IP2's OR one AutoHybrid IP2 and one Interchange in a 1U rack space.

RA2 Rack Panel sold separately.

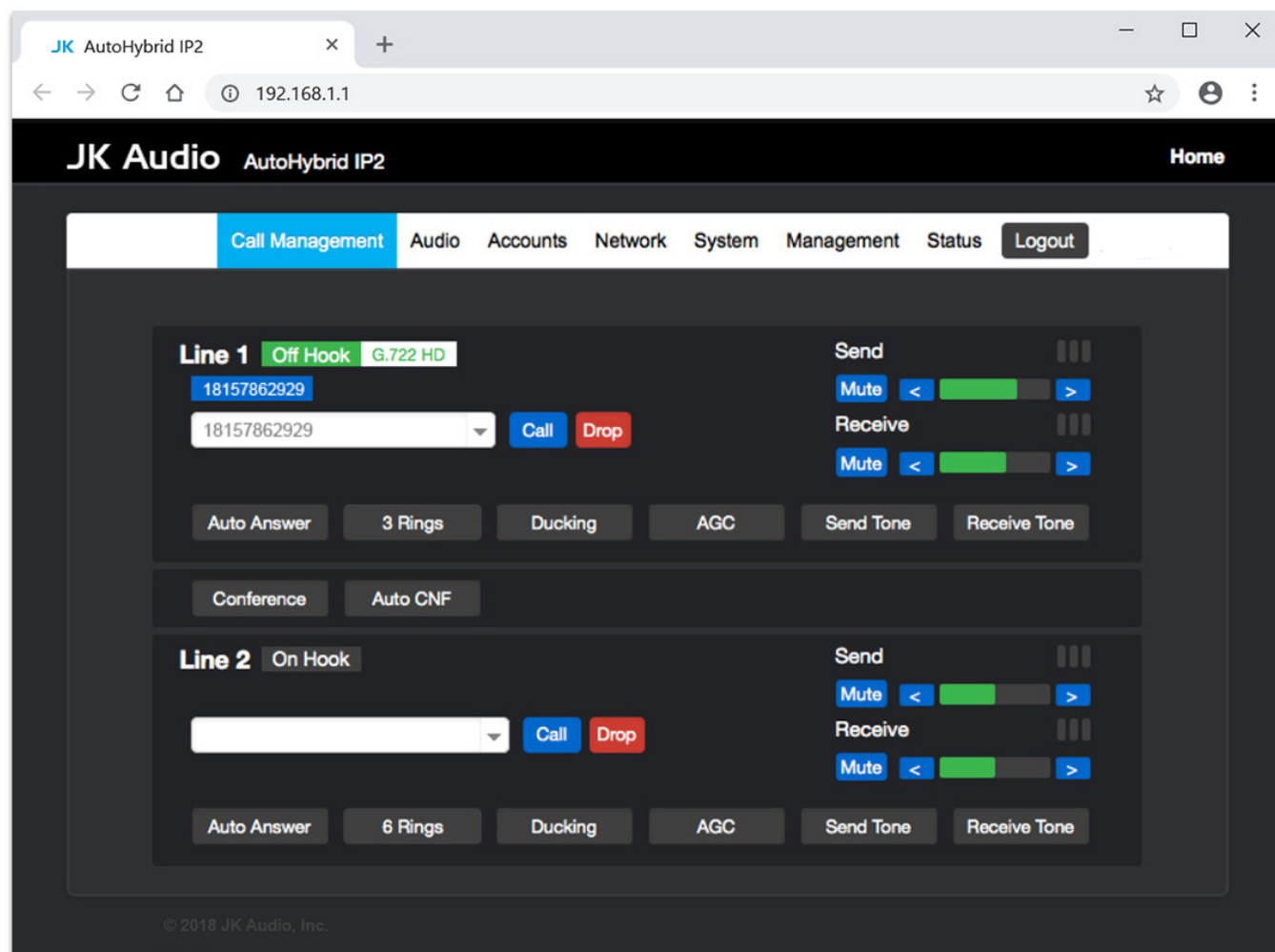
AutoHybrid IP2™

VoIP/AoIP Codec



Web Browser UI.

Connect AutoHybrid IP2 to your network hub or router for system setup and installation using the web browser on your computer. The Web Browser User Interface also provides advanced call control features for remote operation.

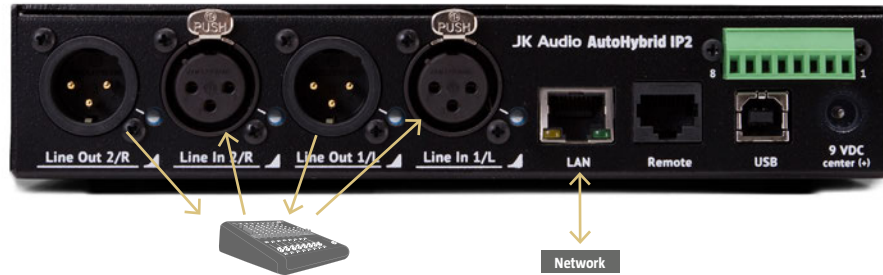


AutoHybrid IP2™

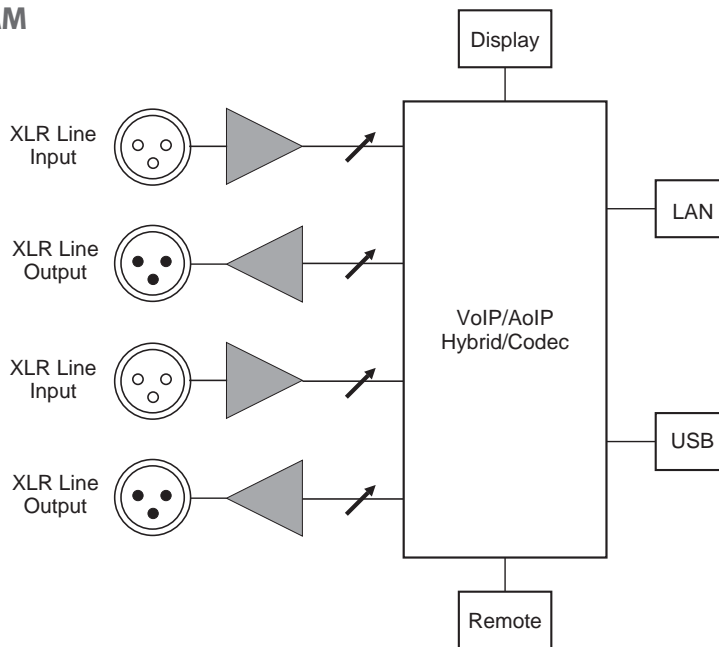
VoIP/AoIP Codec



REAR VIEW



BLOCK DIAGRAM



SPECIFICATIONS



Input

| | |
|-----------------------------|---|
| Balanced Female XLR: | 20k ohms 500 mV RMS (-4 dBu nom) +12 dBu max |
|-----------------------------|---|

Output

| | |
|---------------------------|--|
| Balanced Male XLR: | 50 ohms 500 mV RMS (-4 dBu nom) +12 dBu max |
|---------------------------|--|

| | |
|-----------------------|---|
| Remote Jack: | RJ50 Proprietary interface to JK Audio products |
| Remote Header: | Removable screw terminal block: Call, Drop, Ring/OH LED, GND (x2) |
| Power: | PoE (Power over Ethernet) or +9 VDC with included AC power supply |
| Size: | 7.6" x 5.3" x 1.5" (20 x 14 x 4 cm) |
| Weight: | 1.2 lbs (0.5 kg) |

